



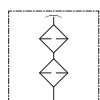
AIR FILTERS AND FILLER BREATHERS

FA3 / FB1 / FB2 / FT series

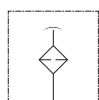
The air breather filters are integral part of the filtration within the hydraulic system, as they retain the environment contamination that could enter into the reservoir with the air sucked due to the oil level fluctuations during the system operation.

Our wide range of air filter and filler breathers offers the suitable solution to various requirements.

HYDRAULIC SYMBOL



FA3 / FB2 / FT5 / FT8



FB1 / FT6 / FT7



FA-3 SERIES

Flange mounted with spin-on element

TECHNICAL INFORMATION

MATERIALS:	<p>Canister: painted steel</p> <p>Flange and basket: zinc plated steel</p> <p>Gaskets: NBR</p>
FILTER MEDIA:	<p>Cellulose (air filtration 3 μm)</p> <p>Glassfiber (air filtration 1 μm)</p>
WORKING TEMPERATURE:	-25° + 100°C (-13°F +212°F)
FLUID COMPATIBILITY: (acc. to ISO 2943)	<p>Mineral oil, vegetable oil, synthetic oil.</p> <p>For use with other fluids(in particular HFA-HFC-HFD/R -HPG) please contact the FILTREC Customer Service (info@filtrec.it).</p>

ORDERING INFORMATION

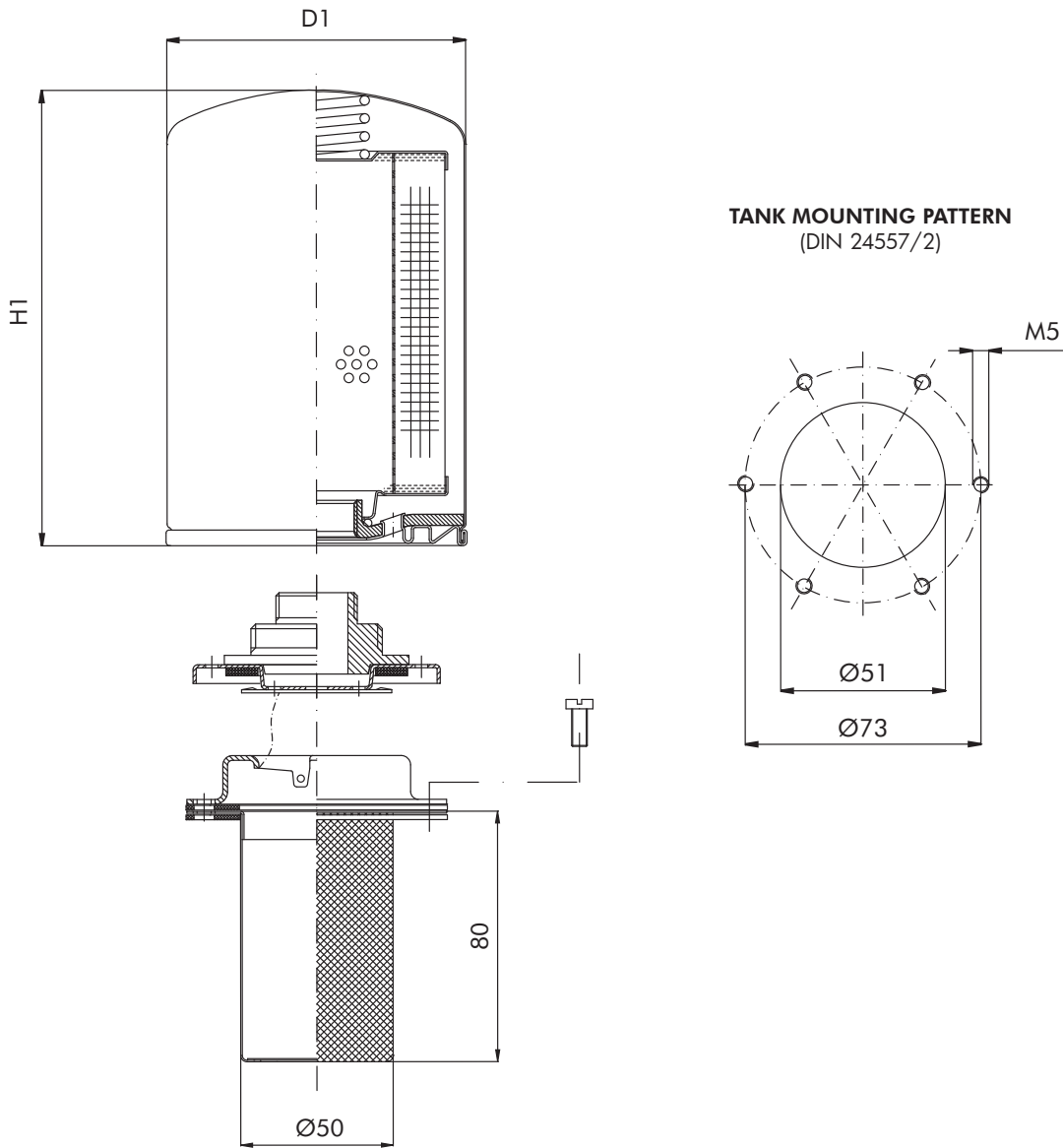
Filter assembly FA3	20	C03
Filter element A3	20	C03

NOMINAL SIZE	
WE	base assembly, without spin-on
10	See table "NOMINAL SIZE"
11	
20	
21	

FILTER MEDIA	

C03	cellulose (air filtr. 3 μm)
G01	glassfiber (air filtr. 1 μm)

OVERALL DIMENSIONS



NOMINAL SIZE

CODE	D1	H1	Air flow rate l/min Δp 0,015 barg		SPIN-ON ELEMENT
			C03	G01	
FA310	96	145	550	530	A310
FA311		213			A311
FA320	129	180	1415	1330	A320
FA321		228			A321

FB1 SERIES

Air breather filtes, with replaceable filter element

TECHNICAL INFORMATION



MATERIALS:	Cover: painted steel
FILTER MEDIA:	Cellulose (air filtration 3 μm)
WORKING TEMPERATURE:	-25° + 100°C (-13°F + 212°F)
FLUID COMPATIBILITY: (acc. to ISO 2943)	Mineral oil, vegetable oil, synthetic oil. For use with other fluids(in particular HFA-HFC-HFD/R -HPG) please contact the FILTREC Customer Service (info@filtrec.it).

ORDERING INFORMATION

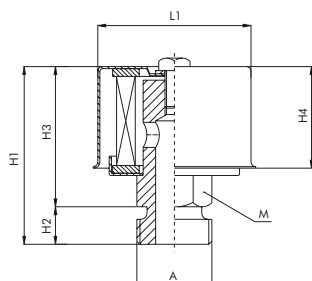
Filter assembly FB1	10	B2	C10
Filter element B1	10		C10

NOMINAL SIZE	
10	cover Ø 48
20	cover Ø 67
30	cover Ø 108

CONNECTION	
B1	1/4" BSP
B2	3/8" BSP
B3	1/2" BSP
B4	3/4" BSP
B5	1" BSP

FILTER MEDIA	
C10	cellulose (air filtration 3 μm)

OVERALL DIMENSIONS



NOMINAL SIZE

CODE	A	H1	H2	H3	H4	L1	M	Air flow rate l/min Δp 0,015 barg
FB110	1/4" - 3/8" BSP	54	9	45	32	48	14/19	250
FB120	1/2" - 3/4" BSP	69	10	59	50	67	22	350
FB130	1" BSP	91	15	76	61	108	34	800

FT6 & FT7 SERIES

Air breather filters



TECHNICAL INFORMATION

MATERIALS

Cover: chrome plated steel
Threaded connection: zinc plated steel

FILTER MEDIA:

Polyurethane (air filtration 3 μm and 10 μm)

PRESSURIZATION VALVE:

0,35 or 0,75 bar (for FT7 only)

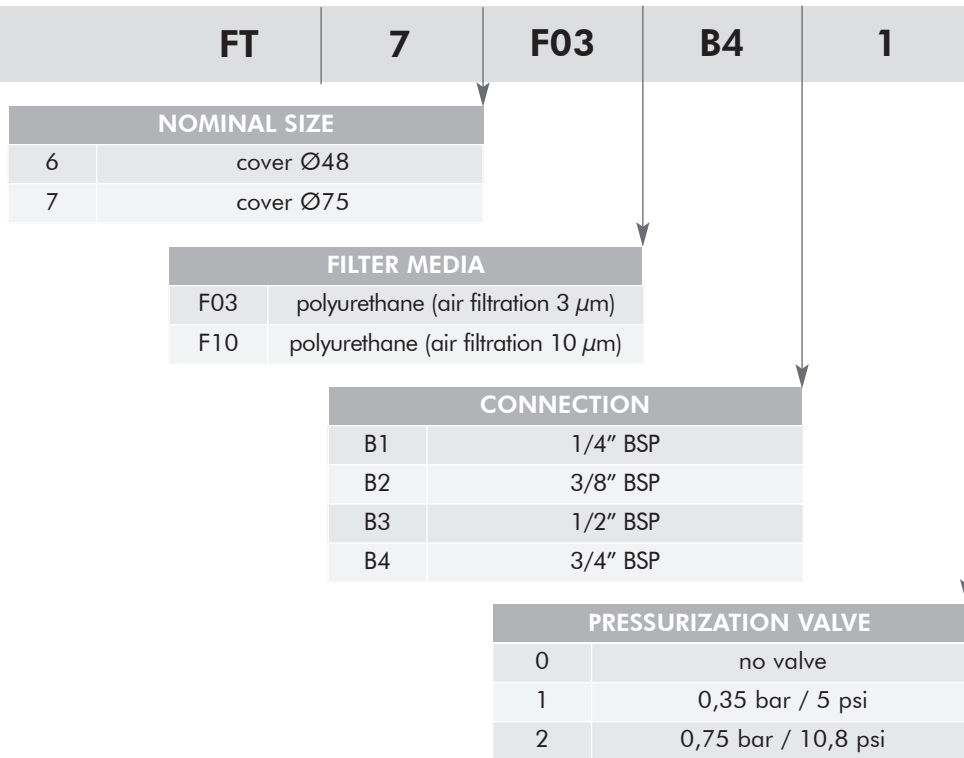
WORKING TEMPERATURE:

-25° + 100°C (-13°F + 212°F)

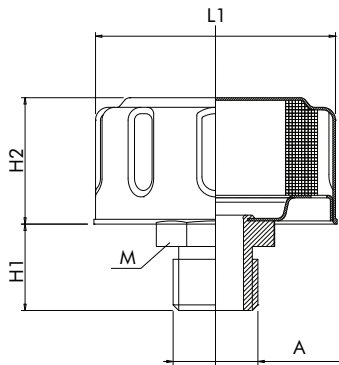
FLUID COMPATIBILITY:
 (acc. to ISO 2943)

Mineral oil, vegetable oil, synthetic oil.
 For use with other fluids(in particular HFA-HFC-HFD/R -HPG) please contact the FILTREC Customer Service (info@filtrec.it).

ORDERING INFORMATION



OVERALL DIMENSIONS



NOMINAL SIZE

CODE	A	H1	H2	L1	M	Air flow rate l/min Δp 0,015 barg	
						F03	F10
FT6...B1	1/4" BSP	27	31	48	22	250	250
FT6...B2	3/8" BSP						
FT7...B3	1/2" BSP	35,5	75	27	32	450	550
FT7...B4	3/4" BSP						

FB2 SERIES

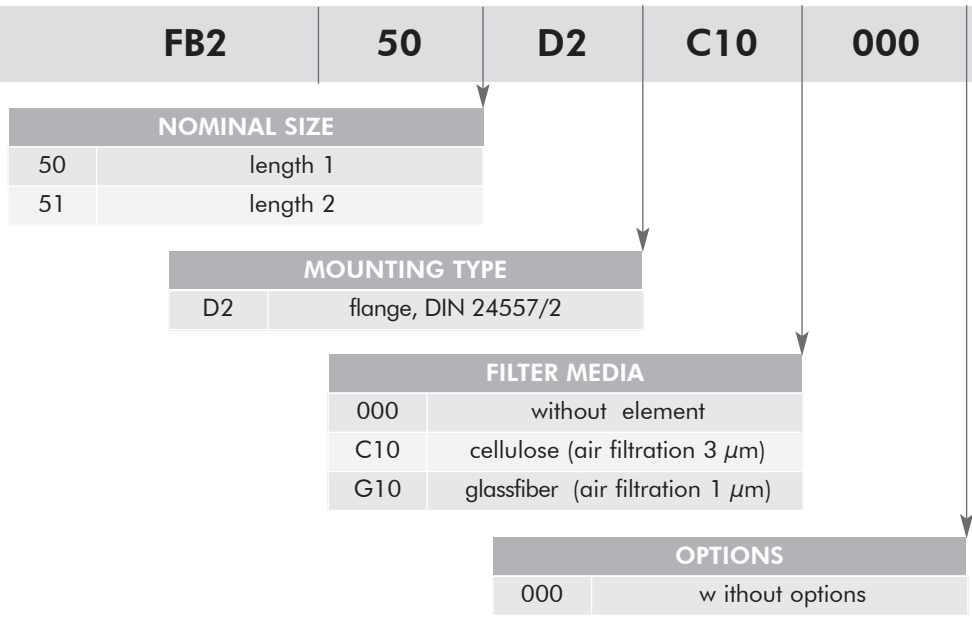
Air filters and filler breathers, with replaceable filter element



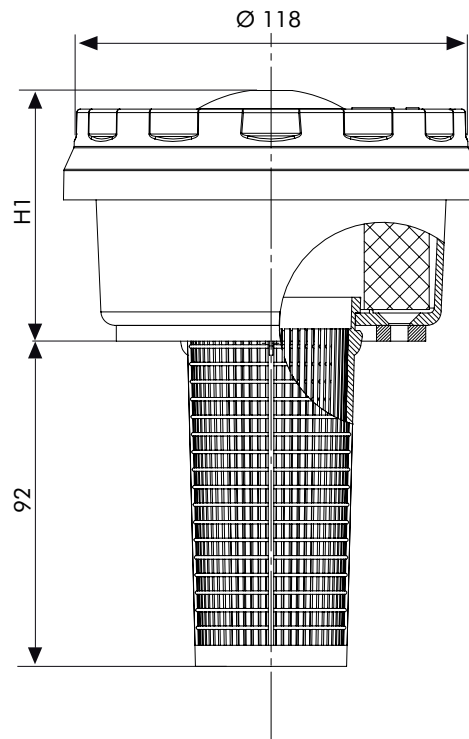
TECHNICAL INFORMATION

MATERIALS:	Housing: polyamide PA Basket: polyamide PA Gaskets: NBR
FILTER MEDIA:	Cellulose (air filtration 3 μm) Glassfiber (air filtration 1 μm)
WORKING TEMPERATURE:	-25° + 100°C (-13°F +212°F)
FLUID COMPATIBILITY: (acc. to ISO 2943)	Mineral oil, vegetable oil, synthetic oil. For use with other fluids(in particular HFA-HFC-HFD/R -HPG) please contact the FILTREC Customer Service (info@filtrec.it).

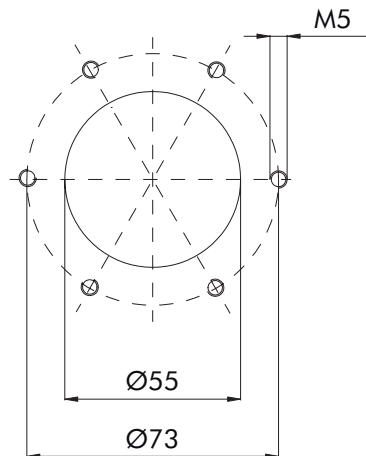
ORDERING INFORMATION



OVERALL DIMENSIONS



TANK MOUNTING PATTERN
(DIN 24557/2)



NOMINAL SIZE

MODEL	H1	Air flow rate l/min Dp 0,015 barg	
		C10	G10
FB250	46	1200	1400
FB251	74	1600	1800

FILLER BREATHERS

FT SERIES

Filler breathers with flange or welding mounting



TECHNICAL INFORMATION

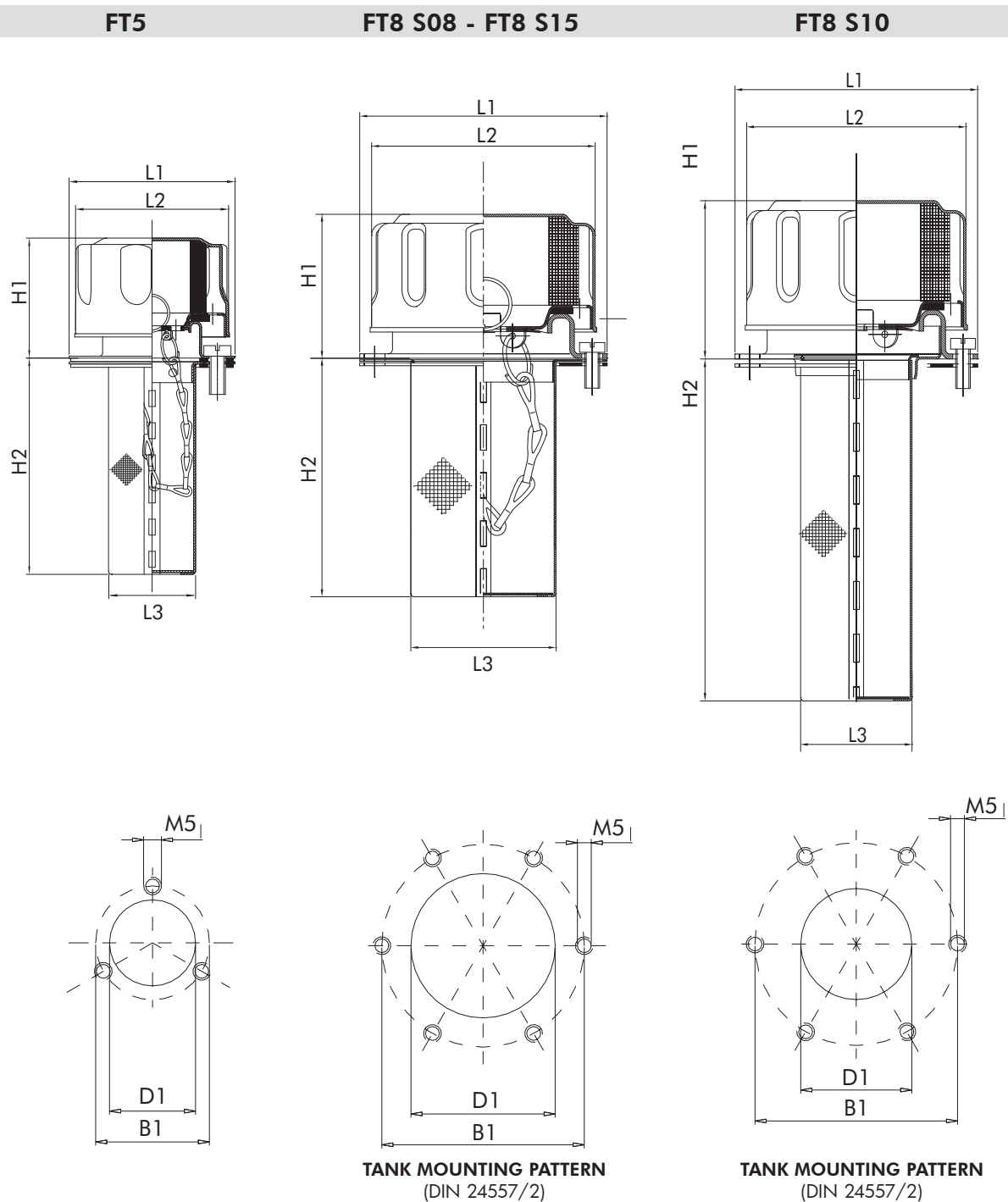
MATERIALS:	Cover: chrome plated steel Basket: zinc plated steel Flange: zinc plated steel Gaskets: NBR
FILTER MEDIA:	Polyurethane (air filtration 3µm e10 µm) The plugs are linked to the mounting flange with a safety chain (except versions T13, S10 and W10).
PRESSURIZATION VALVE:	0,35 or 0,75 bar (for FT8 only)
WORKING TEMPERATURE:	-25° + 100°C (-13°F +212°F)
FLUID COMPATIBILITY: (acc. to ISO 2943)	Mineral oil, vegetable oil, synthetic oil. For use with other fluids(in particular HFA-HFC-HFD/R -HPG) please contact the FILTREC Customer Service (info@filtrec.it).

ORDERING INFORMATION

FT	8	F03	B	S08	0	L
NOMINAL SIZE						
5	cover Ø48					
8	cover Ø75					
FILTER MEDIA						
F03	polyurethane (air filtration 3 µm)					
F10	polyurethane (air filtration 10 µm)					
GASKETS						
B	NBR					
MOUNTING TYPE						
---	FT5 only					
S08	flange, basket h = 80 mm					
S15	flange, basket h = 150 mm					
S10	flange, removable basket					
W10	welding flange					
T13	with antislash tube					
PRESSURIZATION VALVE						
0	no valve					
*1	0,35 bar / 5 psi					
*2	0,75 bar / 10,8 psi					
<small>* for FT-8 only, see page 10</small>						
PADLOCK HOLDER						
0	without padlock holder					
*L	with padlock holder					
<small>* for FT-8 only, see page 10</small>						

FLANGED MOUNTING

OVERALL DIMENSIONS



NOMINAL SIZE

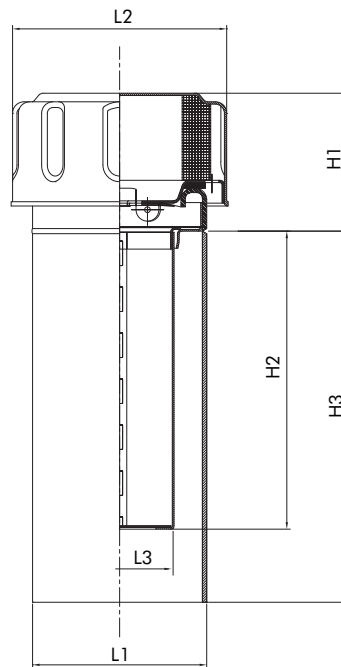
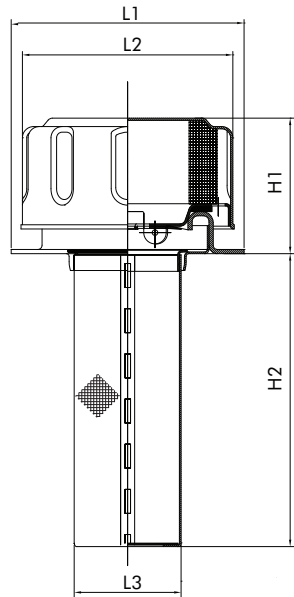
CODE	B1	D1	H1	H2	L1	L2	L3	Air flow rate l/min Dp 0,015 barg	
								F03	F10
FT5	41	31	37	67	52	48	27,5	200	250
FT8 S8	71÷73	52	50	80	83	75	50	450	550
FT8 S15				150					
FT8 S10				105					
		40					38		

WELDING MOUNTING

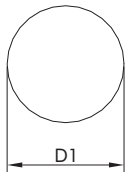
OVERALL DIMENSIONS

FT8 W10

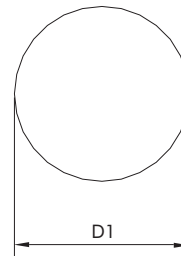
FT8 T13



HOLE ON THE TANK



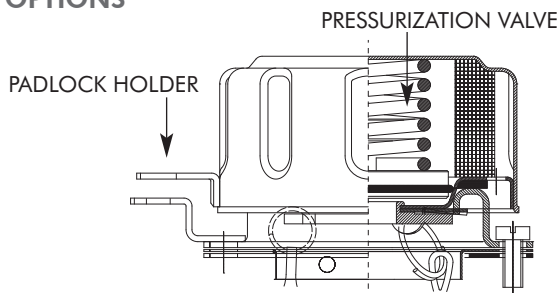
HOLE ON THE TANK



NOMINAL SIZE

CODE	D1	H1	H2	H3	L1	L2	L3	Air flow rate l/min Dp 0,015 barg	
								F03	F10
FT8 W10	40	50	105	---	83	75	38	200	250
FT8 T13	62			130	60			450	550

OPTIONS



On request, FT7 and FT8 can be supplied with some option:

- PRESSURIZATION VALVE
- PADLOCK HOLDER (FT8 only)



Air filters and filler breathers

www.filtrec.com

