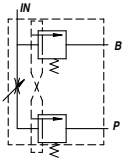
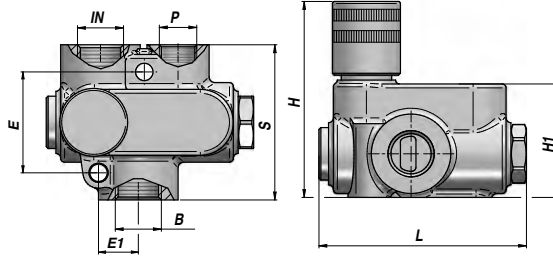
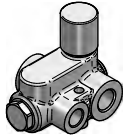


RFP .. G

REGULATEUR DE DEBIT PRIORITAIRE (COMPENSE EN PRESSION)
PRIORITY FLOW CONTROL (PRESSURE COMPENSATED)
REGULADOR DE CAUDAL CON VALVULA PRIORITARIA DE PRESSION



REGLABLE - ADJUSTABLE - REGULABLE
EXCEDENT EN PRESSION - EXCEEDING FLOW TO PRESSURE - EXCESO A LINEA DE PRESSION

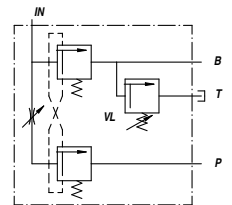
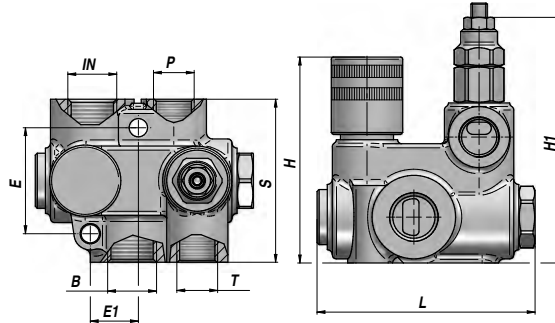
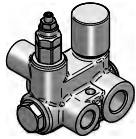
Code Code Código	IN - B BSP	P BSP	Q MAX l/min IN	Q MAX l/min P	P MAX bar	Type Type Tipo	L	E	E1	H1	H	S	kg
V6215.0320	1/2"	3/8"	40	40	250	RFP 40 G	92	46	22,5	54	98	65	1,27
V6215.0322	3/4"	1/2"	80	80	250	RFP 70 G	110	52	24,5	59	103	80	1,77

MONTAGE EN LIGNE
LINE MOUNTING
MONTAJE EN LINEA

MATERIEL - MATERIAL: FONTE - CAST IRON - HIERRO FUNDIDO

RFPV .. G

REGULATEUR DE DEBIT PRIORITAIRE (COMPENSE EN PRESSION)
PRIORITY FLOW CONTROL (PRESSURE COMPENSATED)
REGULADOR DE CAUDAL CON VALVULA PRIORITARIA DE PRESSION



REGLABLE - ADJUSTABLE - REGULABLE
EXCEDENT EN PRESSION - EXCEEDING FLOW TO PRESSURE - EXCESO A LINEA DE PRESSION

Code Code Código	IN - B BSP	P - T BSP	Q MAX l/min IN	Q MAX l/min P	P MAX bar	Type Type Tipo	L	E	E1	H1	H	S	kg
V6215.0321 **	1/2"	3/8"	40	40	250	RFPV 40 GU	92	46	22,5	105	98	65	1,54
V6215.0323	3/4"	1/2"	80	80	250	RFPV 70 GU	106	52	24,5	125	103	80	2,04

RESSORT - SPRING - MUELLE: X = 10:100 bar - U = 50:230 bar (Standard) - K = 100:250 bar

** SUR DEMANDE - ON REQUEST - BAJO PEDIDO

MONTAGE EN LIGNE
LINE MOUNTING
MONTAJE EN LINEA

MATERIEL - MATERIAL: FONTE - CAST IRON - HIERRO FUNDIDO